

4

3

2

1

MODEL	DIMENSIONS																		CONNECTIONS <NPT, MALE>	INLET AIR FLOW <scfm>	NET WEIGHT <lbs>	SHIPPING WEIGHT <lbs>	POWER SUPPLY	REFRIGERANT
	A	B	C	D	E	F	G	H	I	J	K	L	M	N	O	P	Q	R						
HGEN75	2.02 {51.2}	3.79 {96.2}	1.96 {50}	19.26 {489.2}	2.44 {62}	32.33 {821.2}	21.26 {540}	31.15 {791.2}	1.18 {30}	14.28 {362.6}	12.76 {324}	21.70 {551.2}	23.67 {601.2}	2.16 {55}	4.38 {111.2}	2.02 {51.2}	1.18 {30}	1.18 {30}	1	75	106	123	115V/1PH/60Hz	R134a
HGEN100	2.02 {51.2}	3.79 {96.2}	1.96 {50}	19.26 {489.2}	2.44 {62}	32.33 {821.2}	21.26 {540}	31.15 {791.2}	1.18 {30}	14.28 {362.6}	12.76 {324}	21.70 {551.2}	23.67 {601.2}	2.16 {55}	4.38 {111.2}	2.02 {51.2}	1.18 {30}	1.18 {30}	1	100	111	129	115V/1PH/60Hz	R134a
HGEN125	2.02 {51.2}	3.79 {96.2}	1.96 {50}	19.26 {489.2}	2.44 {62}	32.33 {821.2}	21.26 {540}	31.15 {791.2}	1.18 {30}	14.28 {362.6}	12.76 {324}	21.70 {551.2}	23.67 {601.2}	2.16 {55}	4.38 {111.2}	2.02 {51.2}	1.18 {30}	1.18 {30}	1	125	116	135	115V/1PH/60Hz	R134a
HGEN150	2.02 {51.2}	3.79 {96.2}	1.96 {50}	19.26 {489.2}	2.44 {62}	34.69 {881.2}	23.62 {600}	33.51 {851.2}	1.18 {30}	14.28 {362.6}	12.76 {324}	21.70 {551.2}	23.67 {601.2}	2.16 {55}	4.38 {111.2}	2.02 {51.2}	1.18 {30}	1.18 {30}	1	150	132	152	230V/1PH/60Hz	R407c

SERVICE :
COMPRESSED AIR

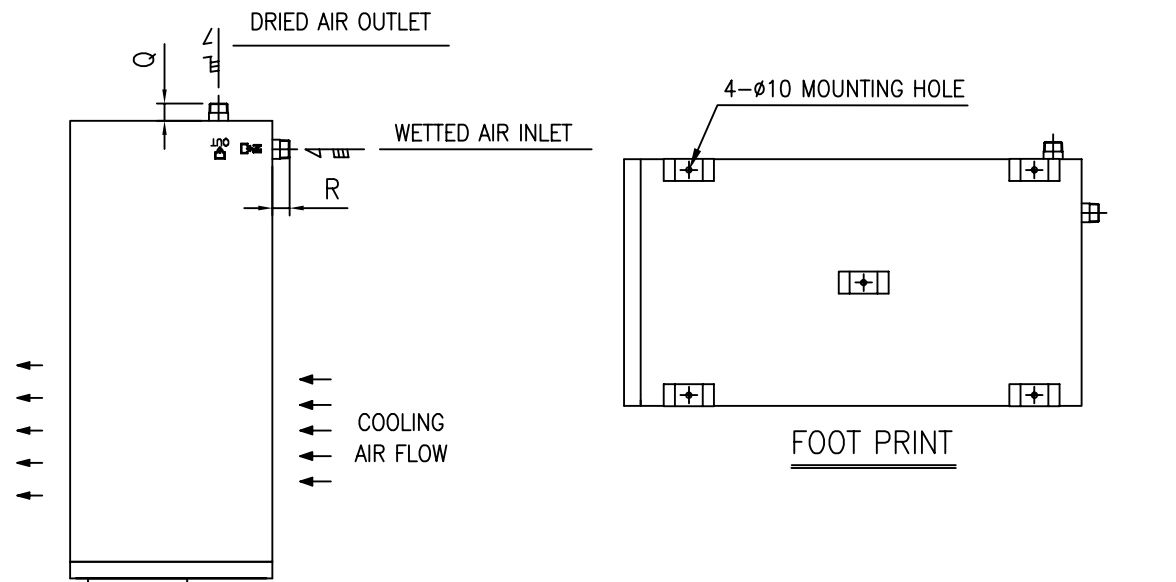
OPERATING CONDITIONS :
 RATED INLET AIR PRESSURE- 100 PSIG
 MAXIMUM INLET AIR PRESSURE- 232 PSIG
 MINIMUM INLET AIR PRESSURE- 43.5 PSIG
 RATED INLET AIR TEMPERATURE- 100°F
 MAXIMUM INLET AIR TEMPERATURE- 120°F
 MINIMUM INLET AIR TEMPERATURE- 45°F
 RATED AMBIENT AIR TEMPERATURE- 100°F
 MAXIMUM AMBIENT AIR TEMPERATURE- 109°F
 MINIMUM AMBIENT AIR TEMPERATURE- 40°F

SPECIFICATIONS:
 CONDENSER TYPE- AIR COOLED
 DRAIN TYPE -ELECTRONIC AUTO DRAIN VALVE
 EXPANSION DEVICE- CONSTANT PRESSURE EXPANSION VALVE

NOTE: PRIMARY DIMENSIONS ARE INCHES &
DIMENSIONS IN BRACES ARE METRIC

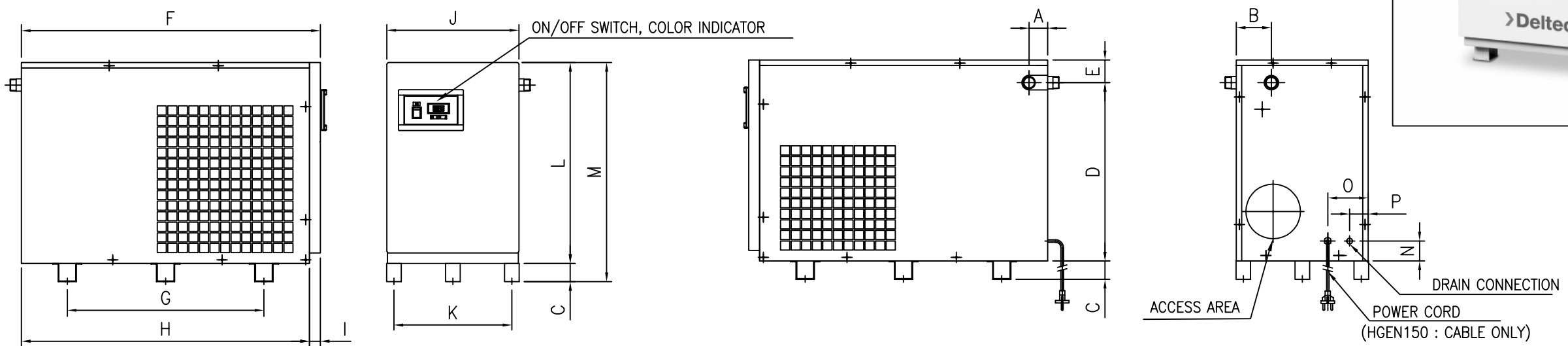
B

B



A

A



A

A

REV.	DESCRIPTION	BY	DATE	APPROVED
REVISION HISTORY (INDICATES LATEST REVISION)				

UNLESS OTHERWISE SPECIFIED
DIMENSIONS ARE IN INCHES
TOL. ON FRACTIONS: ± 1/16
TOL. ON DECIMALS: ± .06 (2 PLACE)
TOL. ON DECIMALS: ± .030 (3 PLACE)
TOL. ON ANGLES: ± 1

THIRD ANGLE PROJECTION

FILER NO.
DRAWN BY: NLC
DATE: 7/21/16
CHECKED BY: NLC
DATE: 7/21/16
APPROVED BY: NLC
DATE: 7/22/16

GENERAL ARRANGEMENT
HGEN75 - HGEN200

SIZE B	DWG. NO. GA03DEL-0054	REV.
SCALE: NONE	EST. WT.	SHEET 10F 1

4

3

2

1